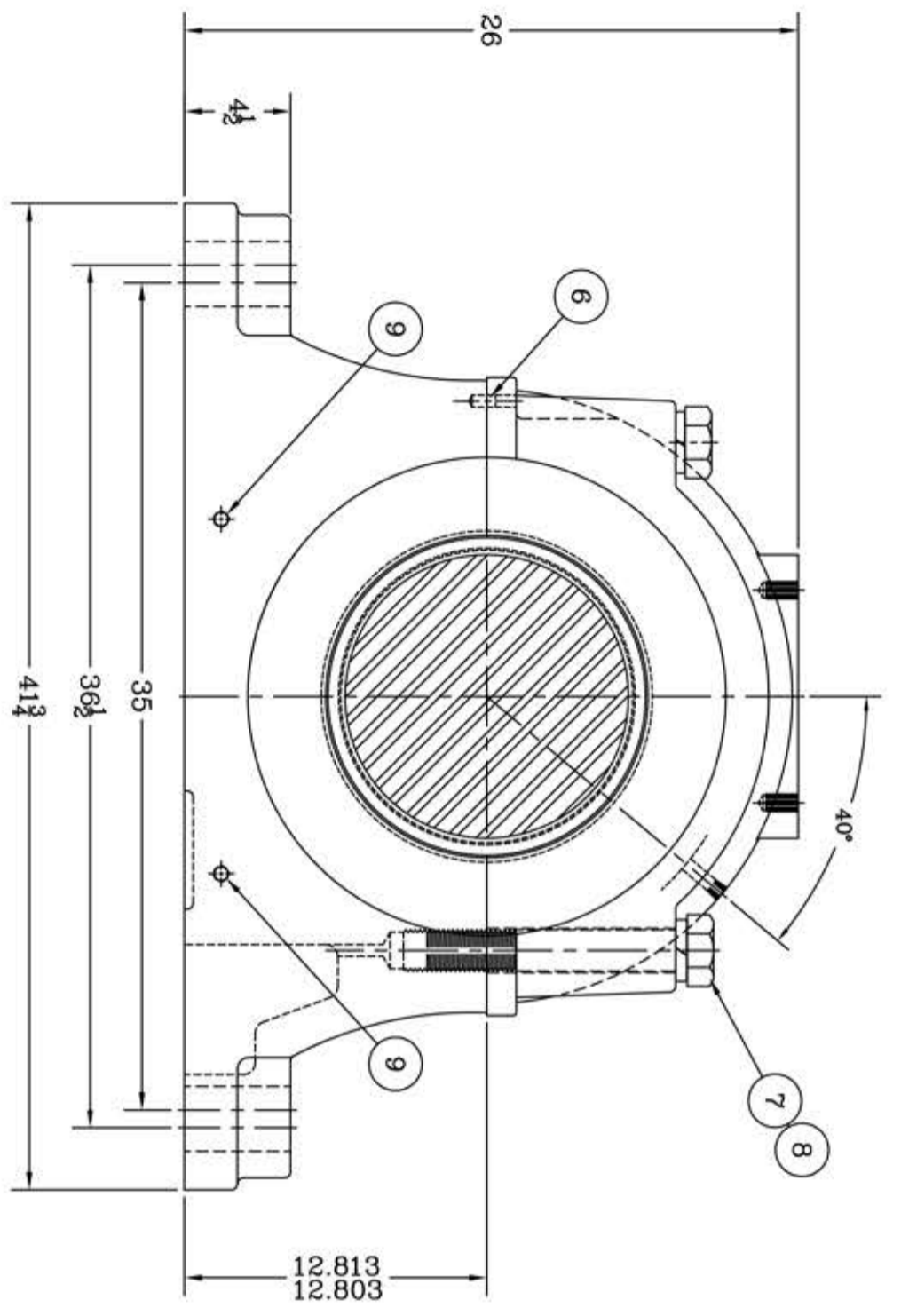
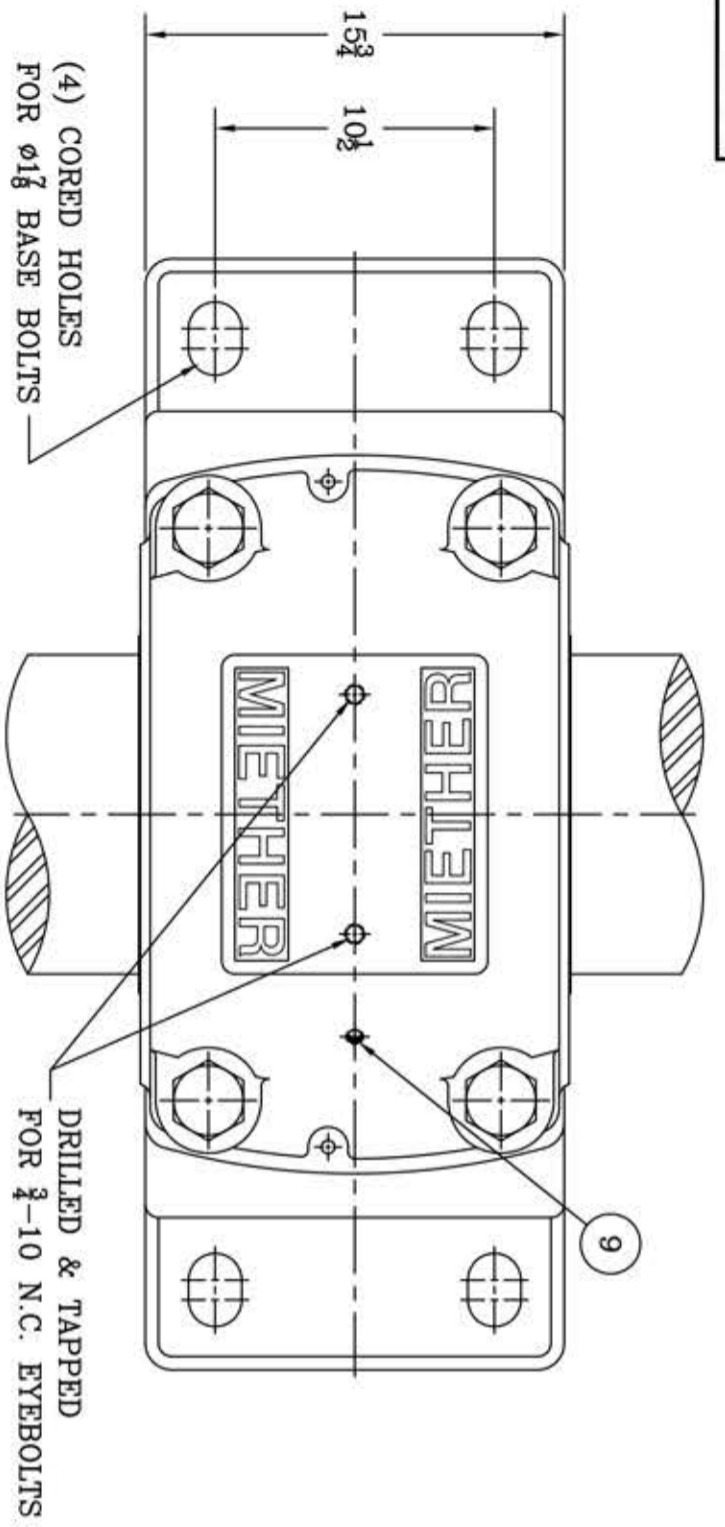
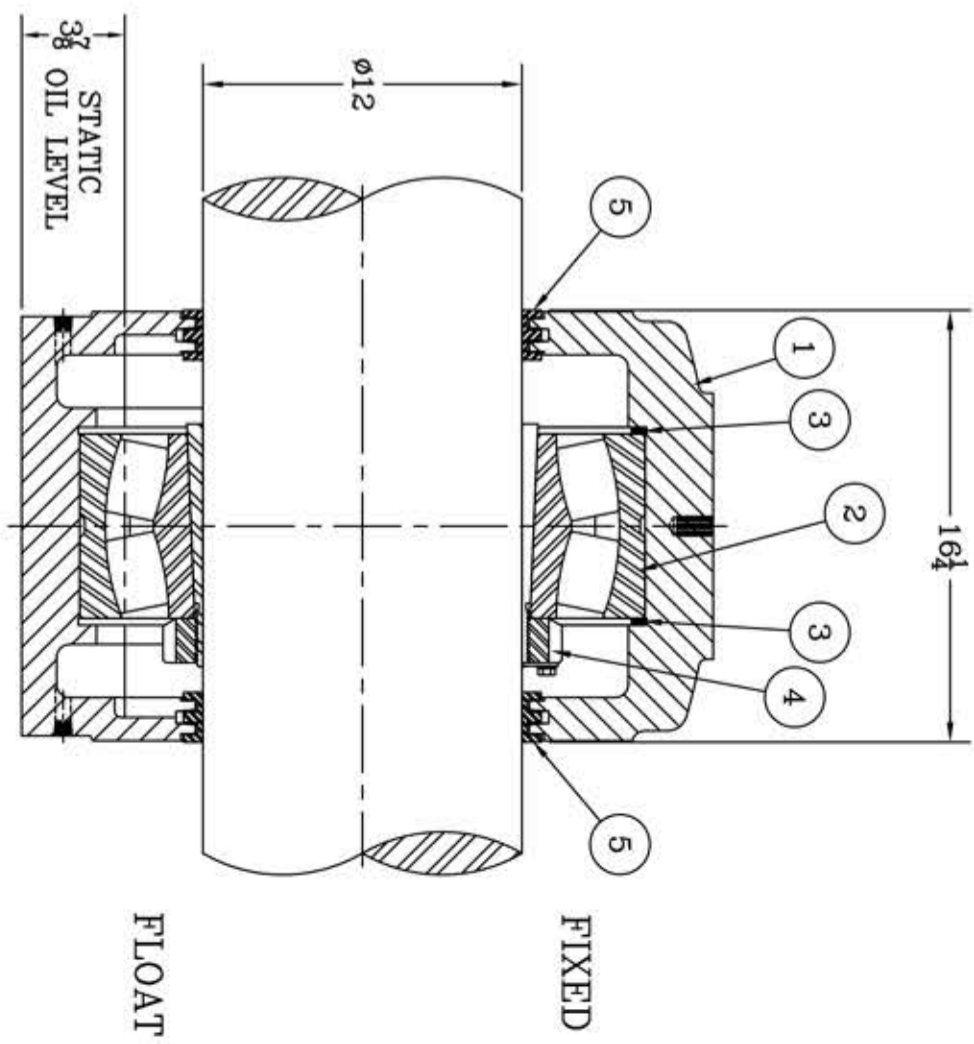


This drawing is the sole property of Miether Bearing Products and contains confidential and proprietary information. It is being provided to you for your use and may not be disclosed to any third party or used for any other purpose without Miether's prior written consent. The [materials] must be returned to the Company upon its demand. Your acceptance of these materials constitutes your acceptance of the foregoing terms.

C-24968



ITEM	DESCRIPTION	DETAIL	REQUIRED
1	HOUSING SDAF 3164K 12-00	C-25724	1 1
2	SPHERICAL ROLLER BEARING	23164K/W-33	1 1
3	STABILIZING RING A-8970-2	A-29630	2 0
4	ADAPTER SNP 3164 12-00	24343	1 1
5	TRIPPLE SEAL RING ER-884	A-12085	2 2
6	DOWEL	1/2 x 1" LONG	2 2
7	CAP BOLT HEX. HEAD	1 1/2-5 NC x 1 1/2" LONG	4 4
8	LOCKWASHER	1 1/2 SPLIT MED.	4 4
9	PIPE PLUG	3/8-18 NPT	5 5



REDRAWN FOR CONFORMITY TO SCALE RWB per KAB 11-29-04

REVISIONS

SYMBOL	DESCRIPTION
C	CASTING
D	WELD
E	ANGLES
F	FINISHES
G	WELD
J	ANGLES
K	FINISHES

AN ALCO INDUSTRIES COMPANY
BEARING PRODUCTS
ODESSA, TX USA

SCALE 1 = 5	ASSEMBLY NO.
DRAWN OMI	DRAWING NO.
DATE 9/16/93	CHEK
CHK:	C-21968